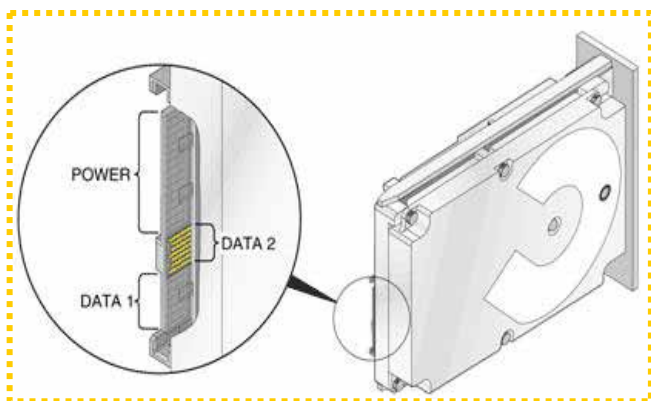


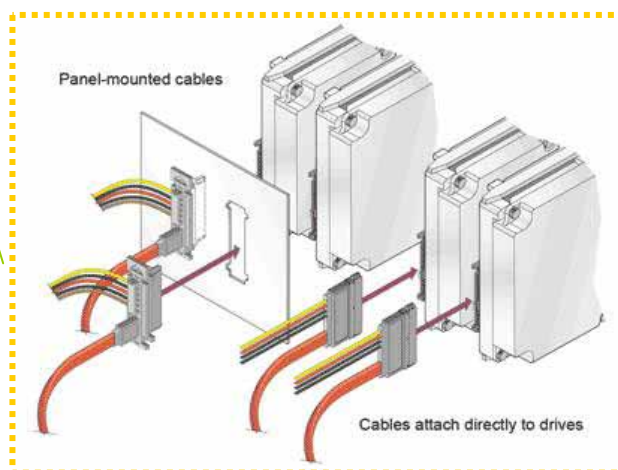
Simple SAS Connection



The power and data connectors on a SAS drive are compact and easily accessible.

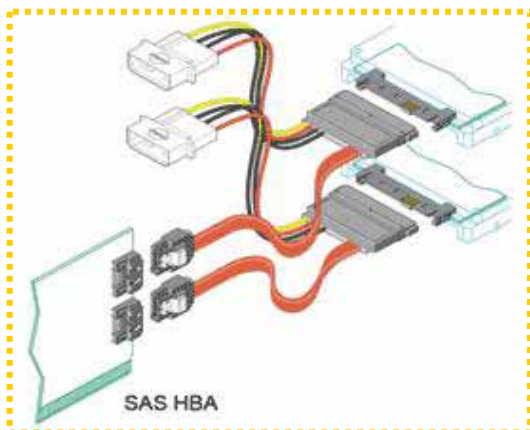
In its most basic form, SAS connectivity entails a single SATA-style SAS cable for each drive, linking to a matching SAS port on the host computer.

This figure illustrates cables that are attached to panel-mounted connectors, as well as cables connected directly to the drives.



SAS host bus adapters (HBAs) are theoretically capable of carrying dozens of connectors, but in practice most popular HBAs will feature either four or eight SAS ports.

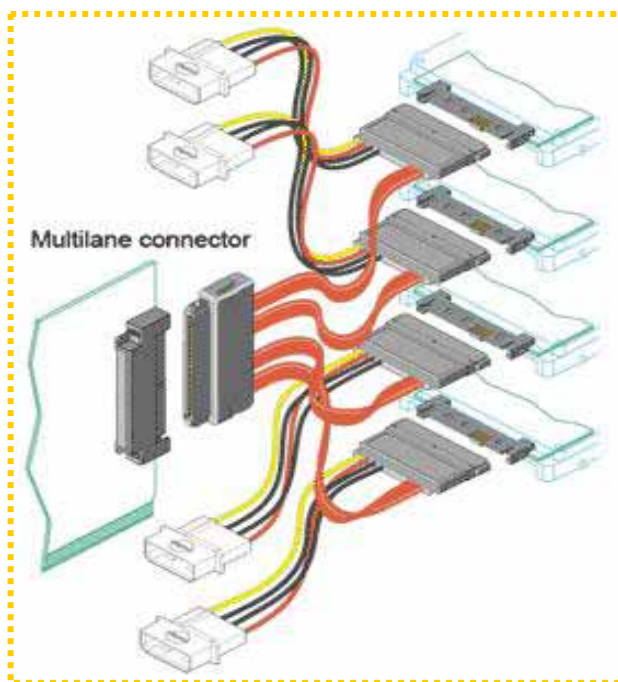
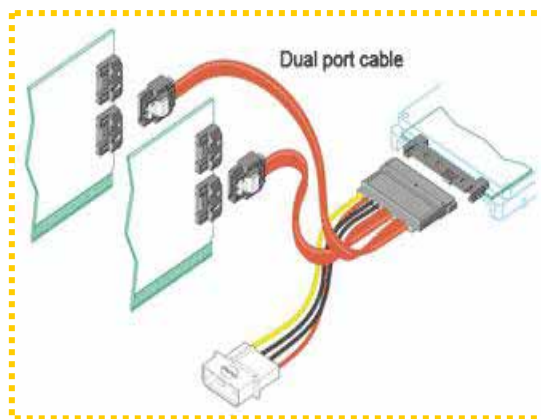
Thus an eight-port HBA can directly connect up to eight SAS drives, each port cabled to its respective SAS drive.



adaptec® Serial Attached SCSI

This illustrates how the extra port on a SAS drive can be connected via a dual-port cable to ensure high availability and greater uptime. If one SAS host controller fails, the extra data port can maintain uninterrupted communication with the second controller.

In addition, these two ports can be combined into a single "wide port" for even higher throughput.



Four separate SATA-style SAS ports on the host controller have been replaced by a single SAS i multilane connector.

Graphics copyrighted by SCSI Trade Association

Reference link: http://www.serialstoragewire.com/Articles/2006_07/feature18.html

Contact points: 2757 0383 / enquiry@nas.com.hk